

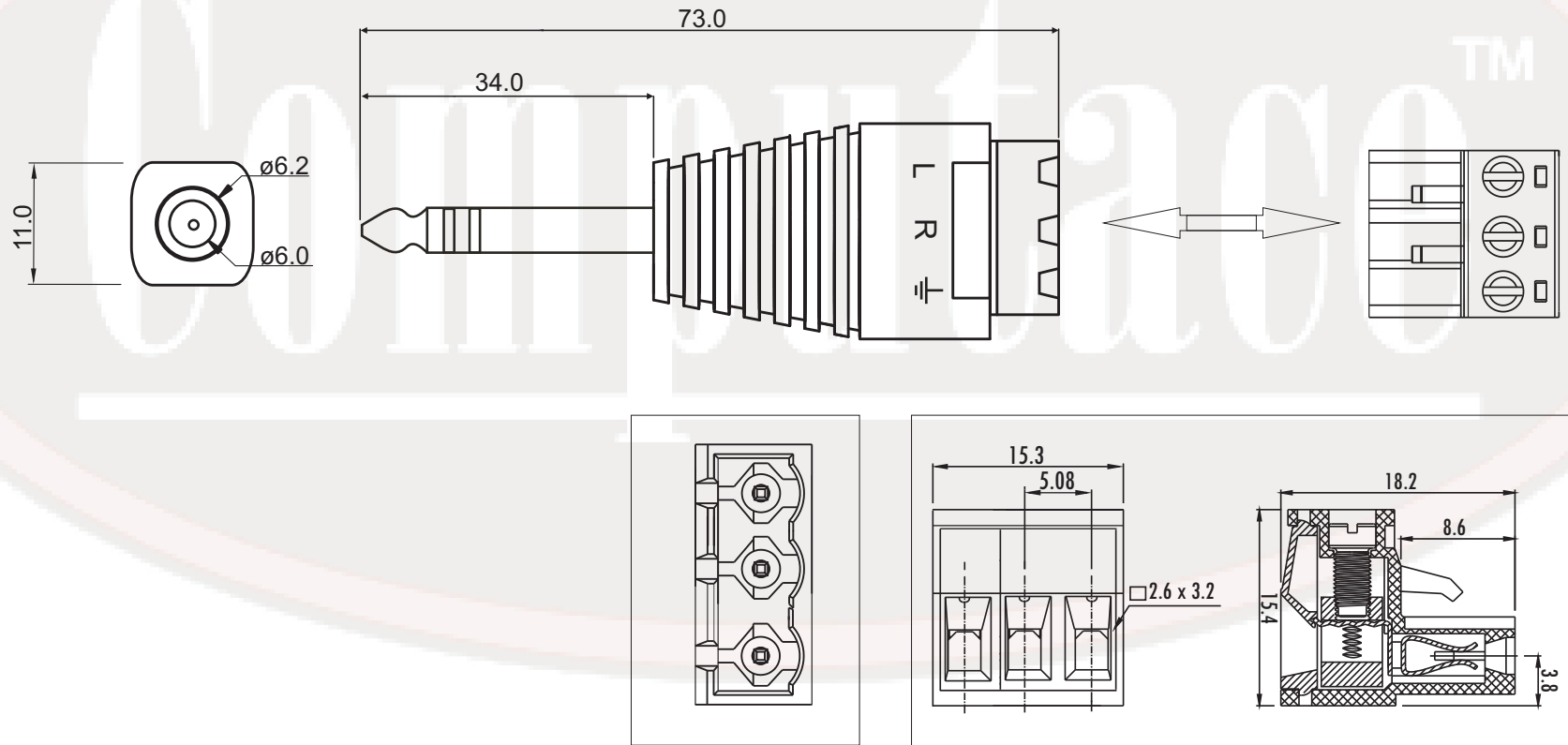
Technical Data:

Electrical:

Voltage rating: 12VDC
 Current rating: 5A
 Contact resistance: 20Ω m
 Insulation resistance: 5000MΩ / 1000V
 Wire range: 28-12AWG

Mechanical:

Torque: 0.4Nm (3.5Lb/In.)
 Operating temperature: -40°C to 105°C
 Strip length: 7mm



GENERAL TOLERANCE	
X.X	±0.25
X.XX	±0.15
X.XXX	±0.05
ANGLE TOLERANCE ± 1°	
RADIUS ± 0.25	
HOLE ± 0.13	

DRAWN	Tan Yan Mei
CHECKED	Jade Xu
APPROVED	Camilly Pun

DATE	06Jan2015
DATE	06Jan2015
DATE	07Jan2015

UNIT	mm
SIZE	A4
SCALE	1 : 1

PART NUMBER	515-4-8105
PRODUCT TITLE	6.35 Phone plug Terminal Adaptor
DRAWING NUMBER	D6735438

REV. A1