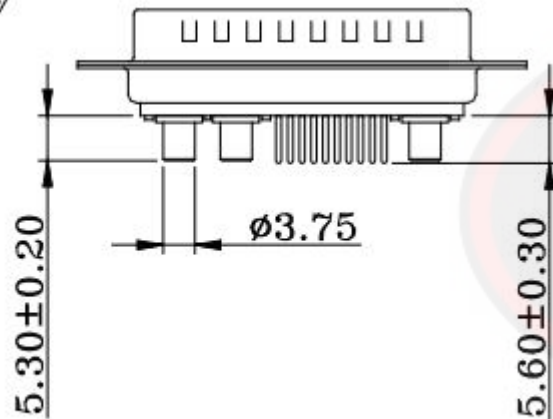


PCB LAYOUT

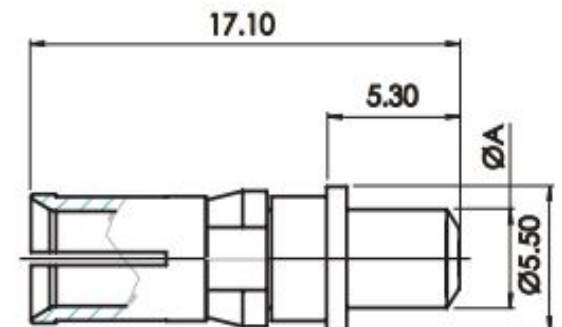
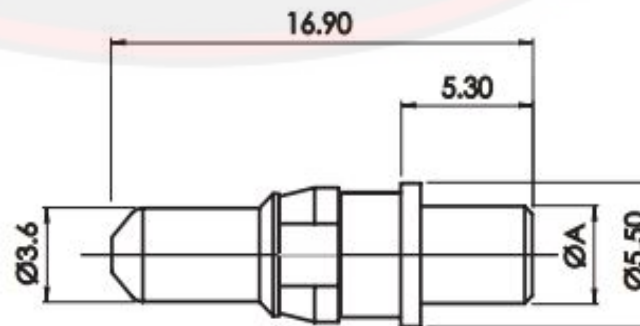


Computace

MALE

FEMALE

Current Rating	Dimension
	ØA
10 A	1.7
20 A	2.8
40 A	3.75



Computace Electronic  
Company Limited  
info@computace.com  
www.computace.com

GENERAL TOLERANCE  
X.X ±0.25  
X.XX ±0.15  
X.XXX ±0.05  
ANGLE TOLERANCE ±1°  
RADIUS ±0.25  
HOLE ±0.13

DRAWN: Luis Wong

CHECKED: Kelvin Lau

APPROVED: Jade Xu

DATE: 11/12/2018

DATE: 12/12/2018

DATE: 14/12/2018

UNIT: mm

SIZE: A4

SCALE: 4/1

PART NUMBER: [Symbol]

PRODUCT TITLE: [Symbol]

DRAWING NUMBER