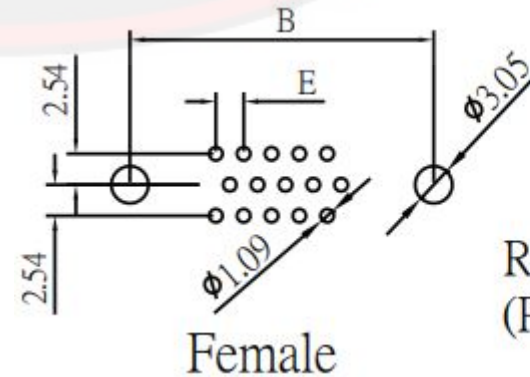
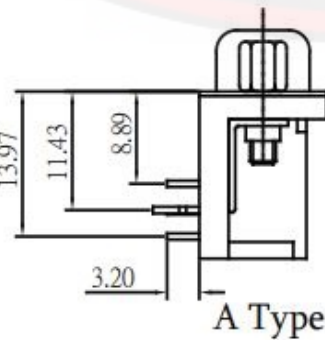
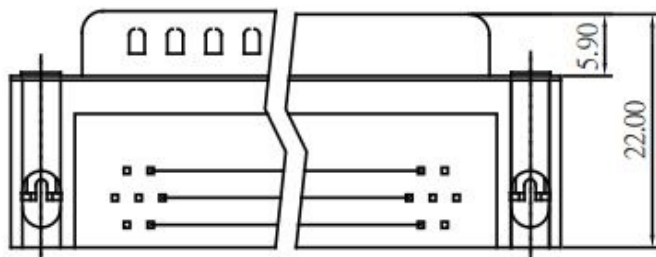
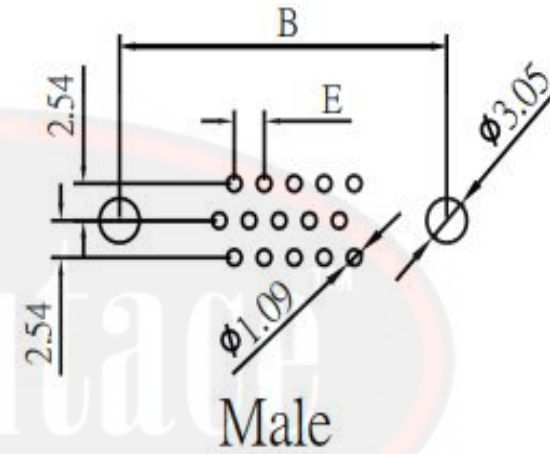
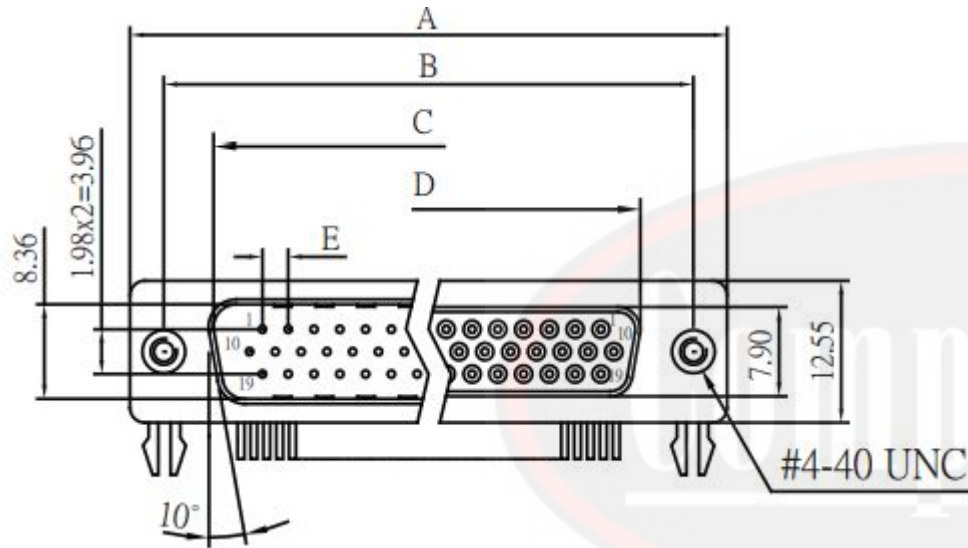
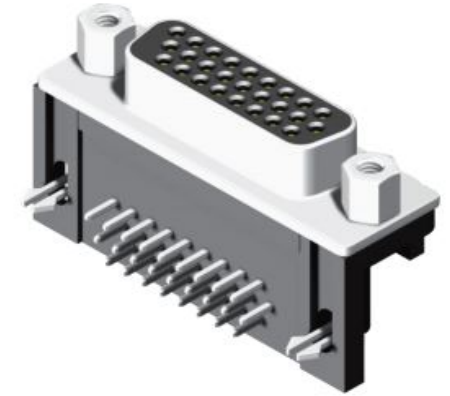


No. of Contacts	Dim. A	Dim. B	Dim. C	Dim. D	Dim. E
15	30.81	24.99	16.92	16.33	2.29
26	39.14	33.32	25.50	24.66	2.29
44	53.04	47.04	38.96	38.38	2.29
62	69.32	63.50	55.42	54.84	2.41



Recommended PCB Layout  
(PCB TOLERANCE  $\pm 0.05$ )



**Computace Electronic  
Company Limited**  
info@computace.com  
www.computace.com

**GENERAL TOLERANCE**  
X.X  $\pm 0.25$   
X.XX  $\pm 0.15$   
X.XXX  $\pm 0.05$   
**ANGLE TOLERANCE  $\pm 1^\circ$**   
**RADIUS  $\pm 0.25$**   
**HOLE  $\pm 0.13$**

DRAWN: Luis Wong  
CHECKED: Kelvin Lau  
APPROVED: Jade Xu

DATE: 11/12/2018  
DATE: 12/12/2018  
DATE: 14/12/2018

UNIT: mm  
SIZE: A4  
SCALE: 4/1

PART NUMBER: FIFIFEEG  
PRODUCT TITLE: 0EJW0PE0A @0 \*A^ ^  
DRAWING NUMBER