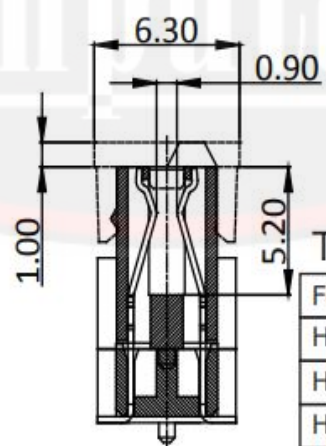
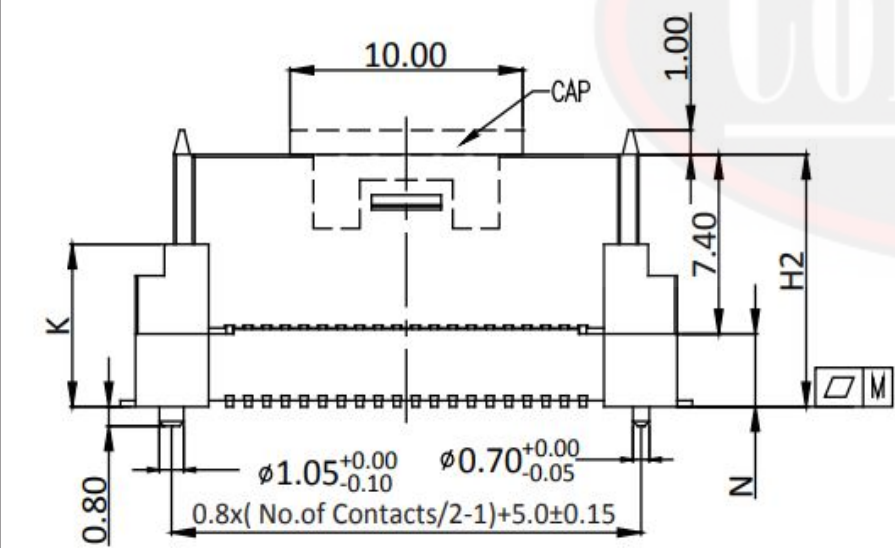


Recommended PCB Layout
(PCB TOLERANCE ±0.05)



Table

Female
H2=7.4(20,30,40,60,80,100)
H2=10.4(20,30,40,60)
H2=11.4(20,30,40,60,80)
H2=12.4(20,30,40,60,80)
H2=13.4(40,60,80,100)

H2	K	N
7.40	4.00	
10.40	7.00	3.00
11.40	8.00	4.00
12.40	9.00	5.00
13.40	10.00	6.00

ASS'Y Height	PLUG	SOCKET
H	H1	H2
10.0	8.0	7.4
13.0	8.0	10.4
14.0	8.0	11.4
15.0	8.0	12.4
16.0	8.0	13.4



GENERAL TOLERANCE
 X.X ±0.25
 X.XX ±0.15
 X.XXX ±0.05
 ANGLE TOLERANCE ±1°
 RADIUS ±0.25
 HOLE ±0.13

DRAWN: Luis Wong
 CHECKED: Kelvin Lau
 APPROVED: Jade Xu

DATE: 11/12/2018
 DATE: 12/12/2018
 DATE: 14/12/2018

UNIT: mm
 SIZE: A4
 SCALE: 4/1

PART NUMBER : 517-7-0XX-F-XX
 PRODUCT TITLE: Female 0.8mm Board-to-Board Type H=I .I mm
 DRAWING NUMBER