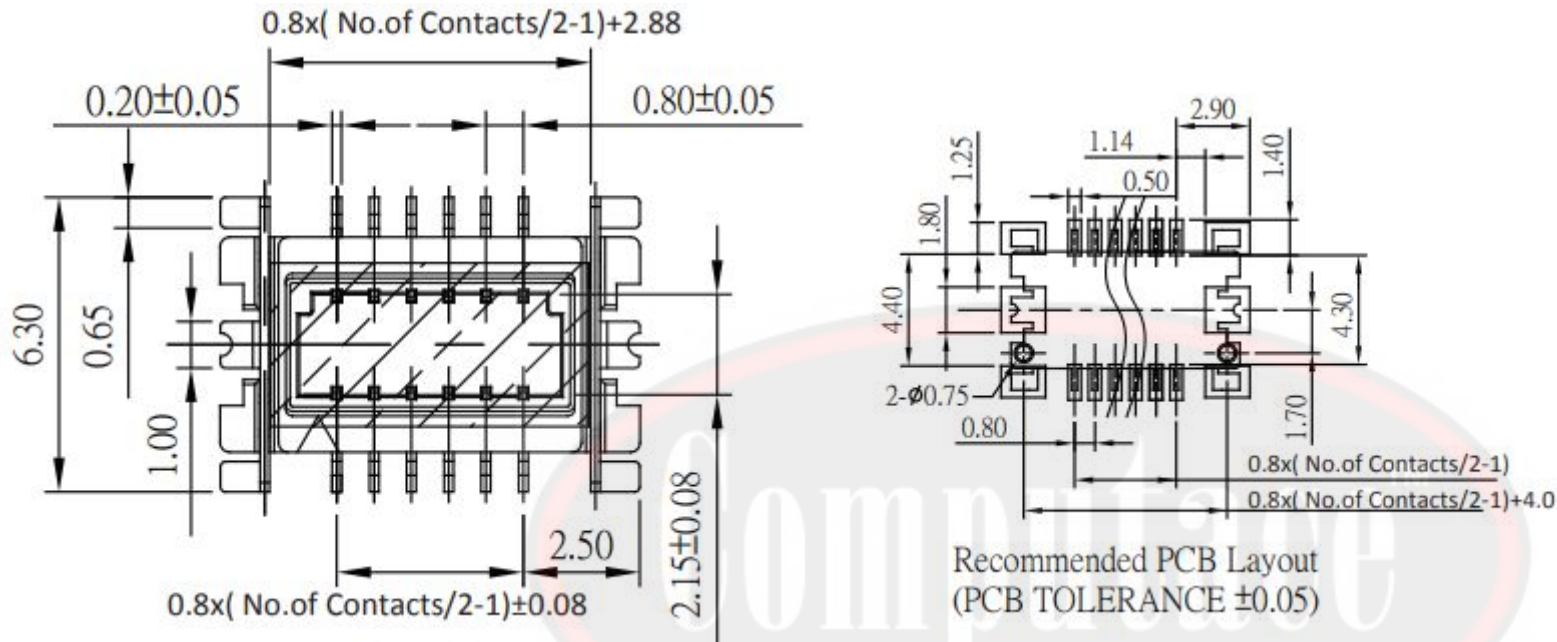
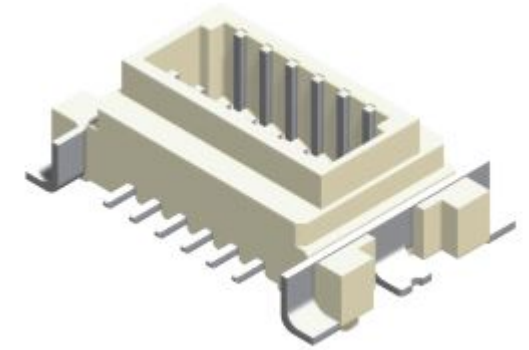
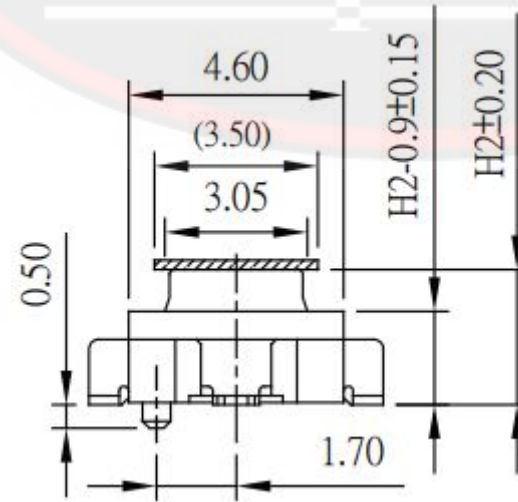
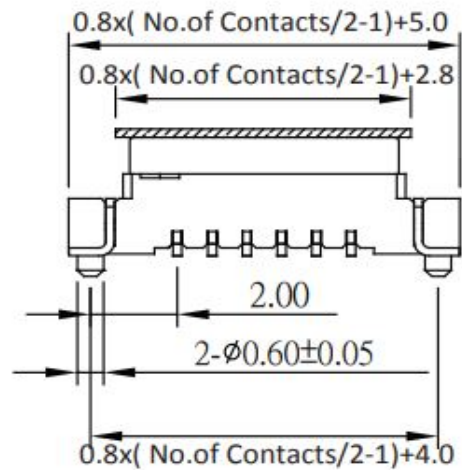


5 1 7 - 7 - X X - X X - X - X X

Type Height M/F # Contacts



Recommended PCB Layout
(PCB TOLERANCE ±0.05)



ASS'Y Height	PLUG	SOCKET
H	H1	H2
3.50	2.4	2.9
4.20	2.4	3.6



GENERAL TOLERANCE
 X.X ±0.25
 X.XX ±0.15
 X.XXX ±0.05
 ANGLE TOLERANCE ±1°
 RADIUS ±0.25
 HOLE ±0.13

DRAWN: Luis Wong
 CHECKED: Kelvin Lau
 APPROVED: Jade Xu

DATE: 11/12/2018
 DATE: 12/12/2018
 DATE: 14/12/2018

UNIT: mm
 SIZE: A4
 SCALE: 4/1

PART NUMBER : 517-7-WXX-F-XX
 PRODUCT TITLE: Female 0.8mm Board-to-Board Type PMD Connector {
 DRAWING NUMBER