

Recommended PCB Layout
(PCB TOLERANCE ±0.05)

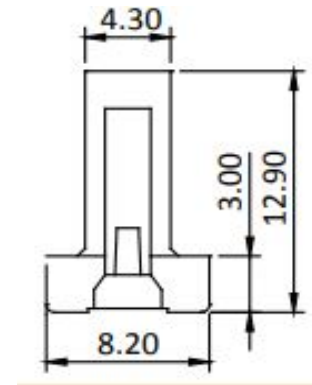
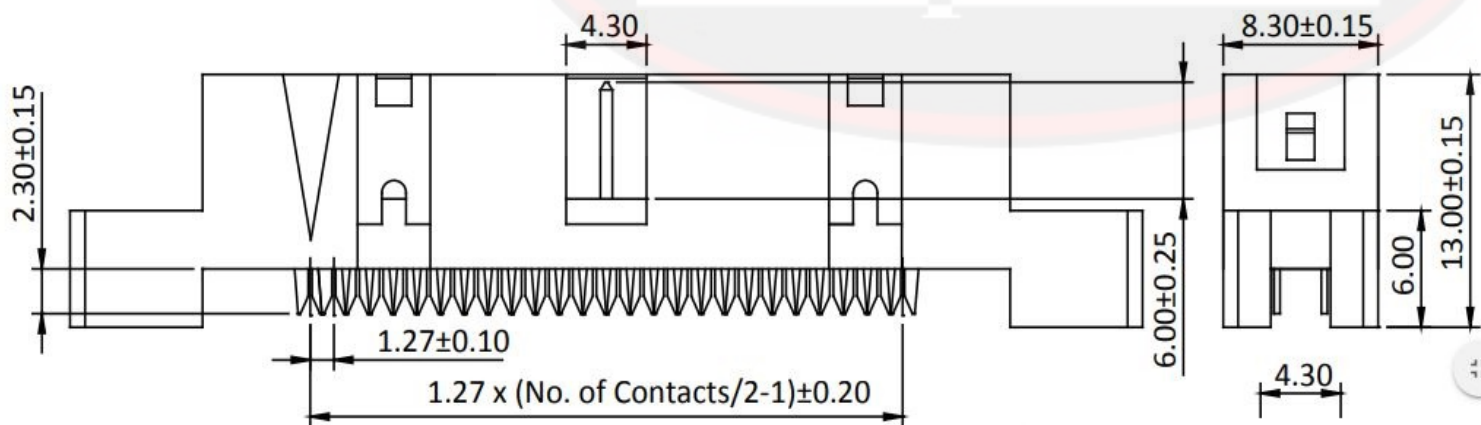
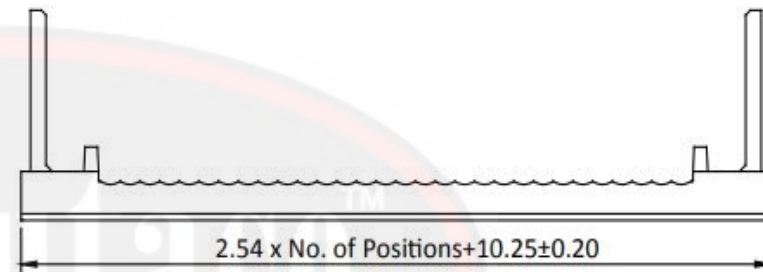
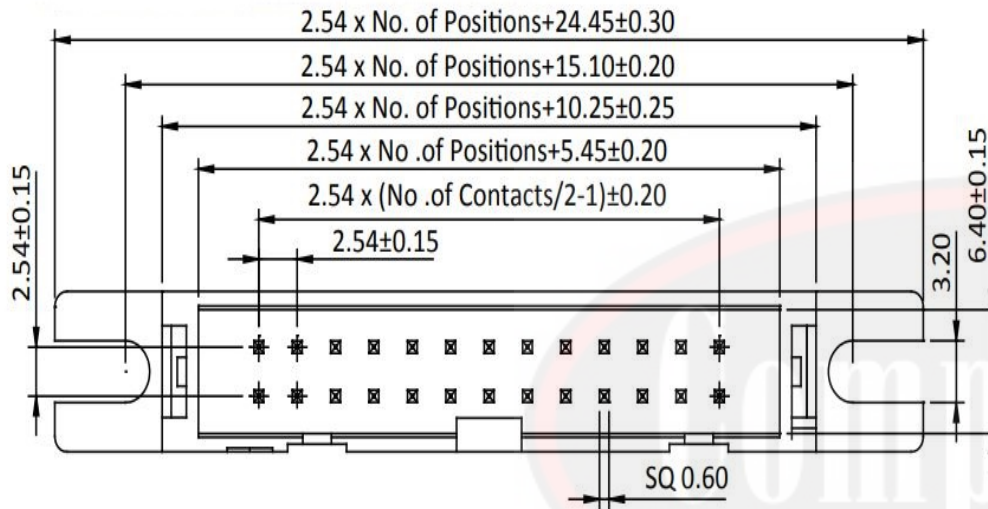
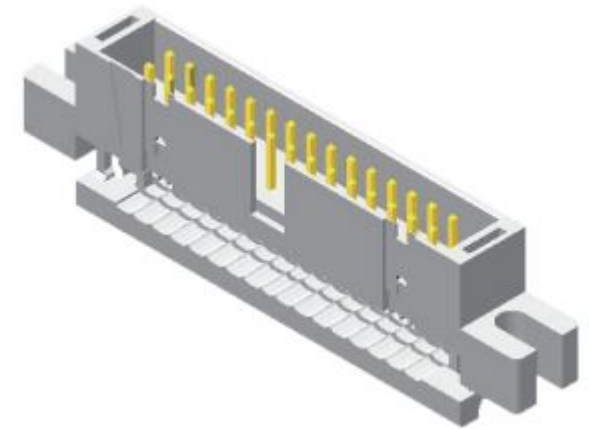
5 1 7 - 8 - X - X X - X X - X X X

RA=R/A SMT
SI= Single Plastic
ST=Stack Pastic
RD=R/A DIP

1=1 Row
2=2 Rows

Height

of contacts



**Computace Electronic
Company Limited**
info@computace.com
www.computace.com

GENERAL TOLERANCE
X.X ±0.25
X.XX ±0.15
X.XXX ±0.05
ANGLE TOLERANCE ±1°
RADIUS ±0.25
HOLE ±0.13

DRAWN: Luis Wong
CHECKED: Kelvin Lau
APPROVED: Jade Xu

DATE: 11/12/2018
DATE: 12/12/2018
DATE: 14/12/2018

UNIT: mm
SIZE: A4
SCALE: 4/1

PART NUMBER : 517-8-47-XX-2XX
PRODUCT TITLE : 2.54mm Box Header IDC Type
DRAWING NUMBER

