

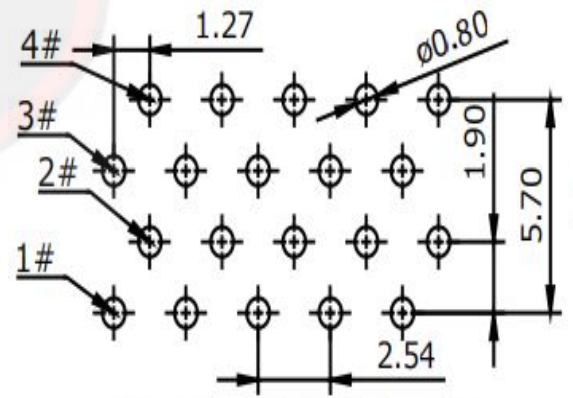
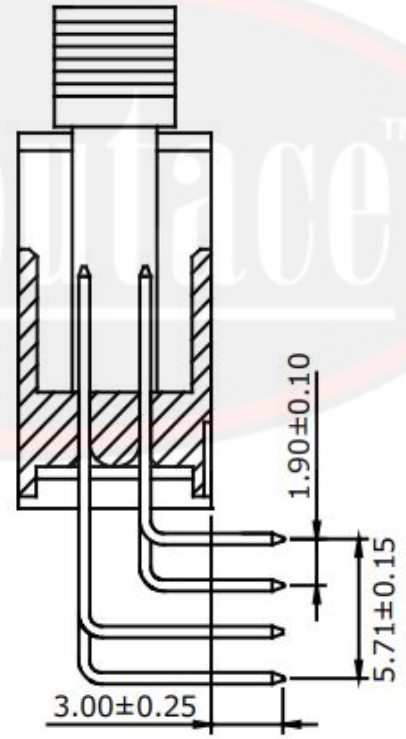
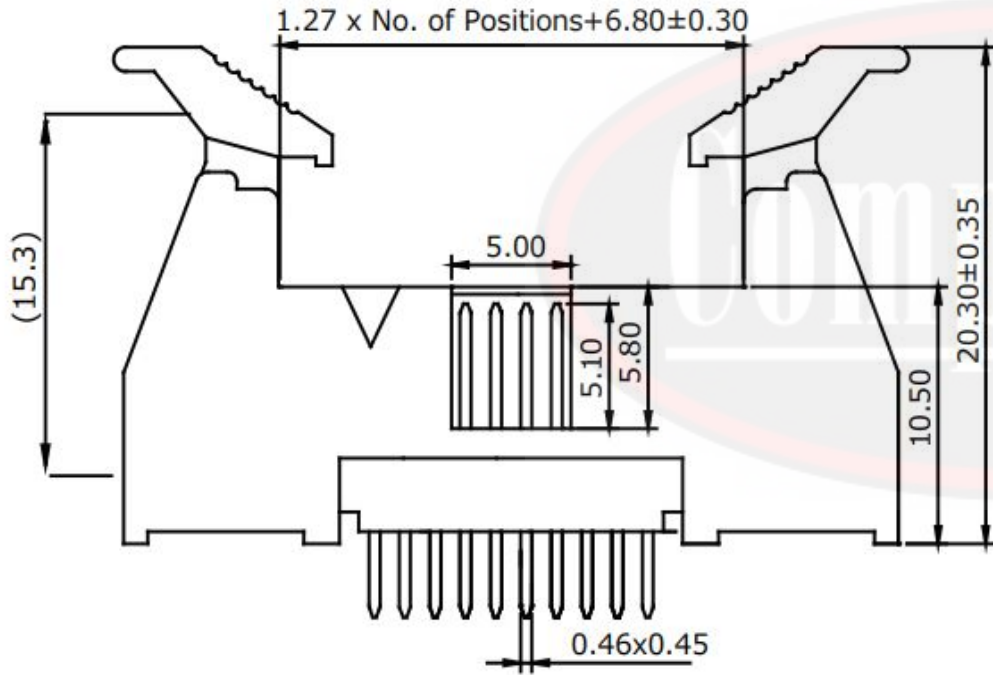
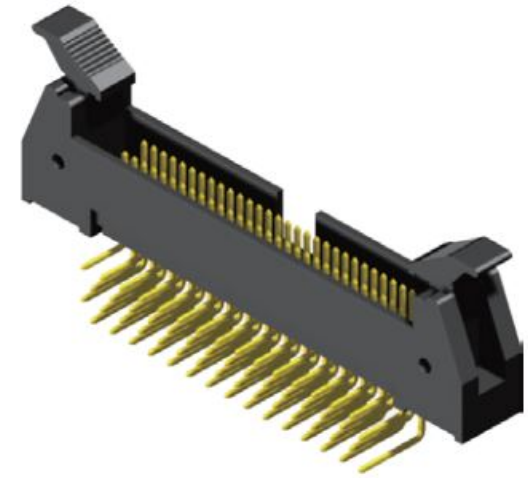
5 1 7 - 8 - X - X X - X X - X X X

RA=R/A SMT  
SI=Single Plastic  
ST=Stack Pastic  
RD=R/A DIP

1=1 Row  
2=2Rows

Height

# of contacts



Recommended PCB Layout  
(PCB TOLERANCE ±0.05)



**Computace Electronic Company Limited**  
info@computace.com  
www.computace.com

**GENERAL TOLERANCE**  
X.X ±0.25  
X.XX ±0.15  
X.XXX ±0.05  
**ANGLE TOLERANCE ± 1°**  
**RADIUS ± 0.25**  
**HOLE ± 0.13**

DRAWN: Luis Wong  
CHECKED: Kelvin Lau  
APPROVED: Jade Xu

DATE: 11/12/2018  
DATE: 12/12/2018  
DATE: 14/12/2018

UNIT: mm  
SIZE: A4  
SCALE: 4/1

PART NUMBER : 517-8-W-RS-XX-2XX  
PRODUCT TITLE: 1.27 x 2.54mm Ejector Header Right Angle Type  
DRAWING NUMBER